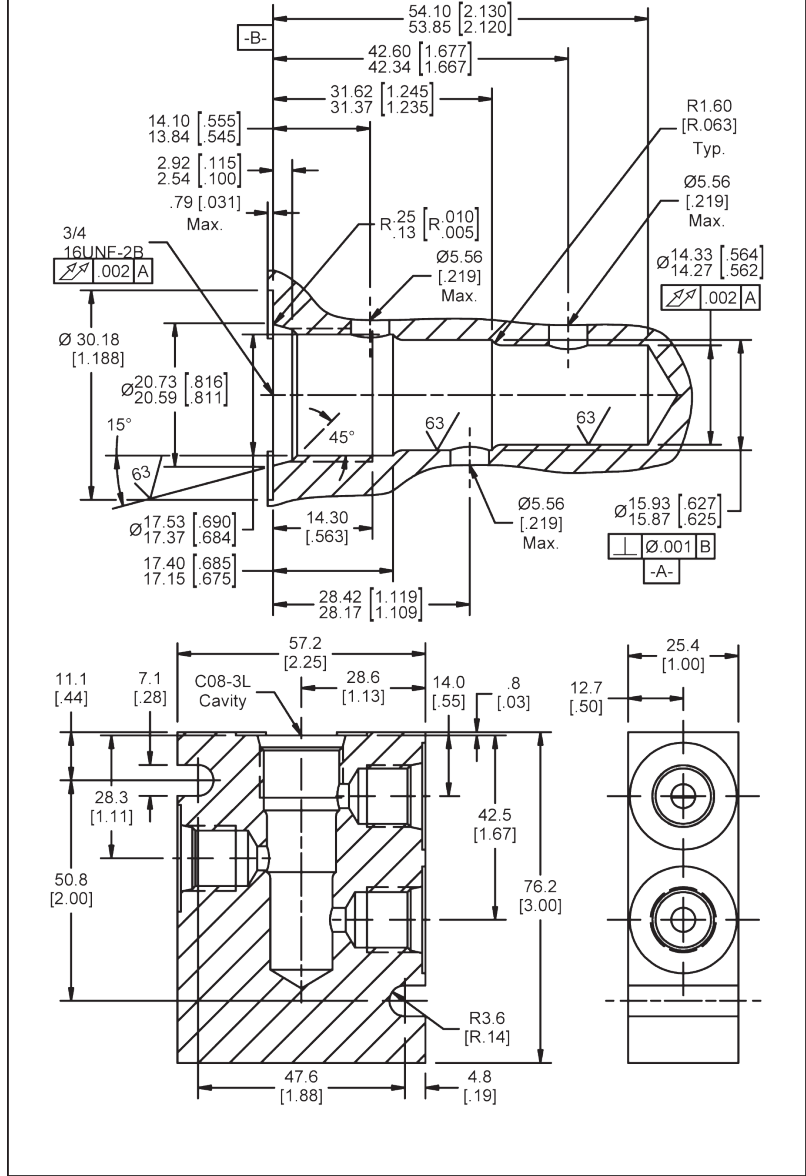


Valve/Cavity Compatibility

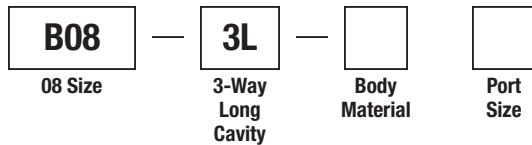
For additional information see Technical Tips on pages BC1-BC2.

		VALVE				
		Winner's Circle	Parker	Waterman	FPS	CEC
CAVITY	Winner's Circle					
	Parker		X			
	Waterman					
	FPS					
	CEC					

Dimensions Millimeters (Inches)



Ordering Information



Code	Body Material
Omit	Steel
A	Aluminum

Code	Port Size
6T	SAE - 6

Form Tool: Rougher None
 Finisher None
Weight: .68 kg (1.5 lbs.)